

THE WIZARD TRAP

THE TRAP FITS HIDDEN BEHIND THE PEDESTAL OF EVEN THE SMALLEST PEDESTAL BASIN



TWIST OPEN FOR EASY ACCESS

FOR PEDESTAL BASINS . . .

The **WIZARD LINEAL TRAP** is designed to fit to the basin first, then lowered into a 40mm diameter DWV pipe, once the pipe has been set to height and internally chamfered and lubricated. This will save time and hassle on one-man easy installation. The inlet is offset to allow for connection to basins with a tight pedestal.

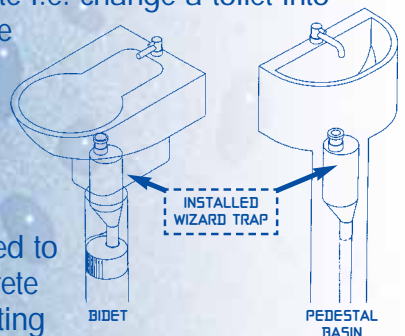


FEATURES

Flow rate = 50 litres per minute
 76mm wide x 200mm high
 Suitable for basins, bidets, bar sinks, showers, air conditioning tundish and boats.
 Jewellery and the like accidentally dropped remains visible and retrievable from the top.

RENOVATION WIZARD

Bathroom renovations – W.C. waste pipe converts into a shower waste i.e. change a toilet into a shower. Insert the trap inside the existing 100mm pipework (as per bidet installation instructions), thus eliminating the need to jackhammer concrete floors or redo existing stackwork (two storey), to trap a waste pipe.



FOR BIDETS . . .

The **WIZARD TRAP** has no mid-joint nut or bottom-seal nut to aid installation in confined spaces. It has an offset top and bottom from the central axis to facilitate installation inside a 100mm diameter pipe. Using standard 100mm x 50mm and 50mm x 40mm reducers, this allows the trap to be installed under **bidets** that have been set out with 100mm dia. pipes as half the trap can rest below floor level inside the waste pipe.

WaterMark
 WMKT00604
 AS 2887

WIZARD
 HOLDINGS (QLD) PTY LTD
 A.C.N. 059 933 247



12 Grimsdyke Court,
 Molendinar Qld 4214
 Tel: (07) 5539 6918
 Fax: (07) 5527 8818
 Email: info@wizardholdings.com
 Web: www.wizardholdings.com